



TRADE VERTICAL INNOVATION: DIVERSIFIED & DISRUPTIVE

It all starts with the user. We don't make assumptions. Instead, we set out to deliver disruptive innovation by getting out on the jobsite, alongside trade professionals, to understand their challenges – the frustrations, the needs, and previous limitations. We set out to completely rethink a solution with new-to-world technology and unparalleled levels of design and engineering. Whether it's bringing cordless power to traditionally corded or gas products and manual activities, or advances to fundamental tools and equipment, MILWAUKEE's focus is on working directly with users to help improve their productivity and safety.

M12
PORTABLE PRODUCTIVITY
TRADE FOCUSED
SYSTEM WIDE

M18
PERFORMANCE DRIVEN
TRADE FOCUSED
SYSTEM WIDE

MX FUEL
EQUIPMENT REDEFINED
TRADE FOCUSED
SYSTEM WIDE

PACKOUT
MODULAR STORAGE SYSTEM

STAY SAFE.
STAY PRODUCTIVE.

Electrician

Plumbing

**Mechanical
HVACR**

Remodeler

General Contractor

Power Utility

Transportation Maintenance
AUTOMOTIVE • DIESEL • TIRE
AVIATION • MARINE • MASS TRANSIT

MRO

Landscape Maintenance

Residential Construction



MILWAUKEE continues to lead the subcompact category with innovative solutions that deliver portable productivity and performance. In 2022, we set a new standard within the subcompact drilling and driving class with the introduction of the new M12 FUEL 1/2" Hammer Drill/Driver and M12 FUEL 1/4" Hex Impact Driver. The M12 FUEL 1/2" Hammer Drill/Driver is the industry's most powerful subcompact hammer drill while the M12 FUEL 1/4" Hex Impact Driver is the industry's fastest subcompact impact driver. Each of these breakthrough products are also the most compact solutions in their respective categories.

Cordless Platforms

They last longer, think faster and work harder than all other professional lithium-ion batteries. Built to withstand even the harshest environments, REDLITHIUM batteries deliver more work over the life of the battery, no matter what the job.

Technology

Highly advanced motor technology boosts efficiency, generating more power from a compact power source. That means the ultimate performance, durability and run-time comes in a smaller, lighter package. An advanced combination of hardware and software, REDLINK Intelligence enables full-circle communication between our batteries and tools, allowing for unmatched levels of performance, protection and productivity.



148+ TOOLS



NEW PRODUCTS



M12 FUEL
1/2" Hammer Drill/Driver



M12 FUEL
1/4" Hex Impact Driver



M12 FUEL
3/8" X 13" Bandfile



M12 FUEL
3/8" Extended Reach High Speed Ratchet



M12 REDLITHIUM
HIGH OUTPUT CP2.5
Battery Pack



M12 REDLITHIUM
HIGH OUTPUT XC5.0
Battery Pack



M12 FUEL
16 Gauge Variable Speed Nibbler



M12 FUEL
Orbital Detail Sander





Evolving alongside constantly changing jobsite needs, MILWAUKEE delivered the next generation of high-performance drilling and driving solutions with the introduction of the new M18 FUEL 1/2" Hammer Drill and M18 FUEL 1/4" Hex Impact Driver. The new M18 FUEL 1/2" Hammer Drill and M18 FUEL 1/4" Hex Impact Driver are the most powerful solutions on the market, delivering the fastest driving speeds with enhanced safety features. Additionally, 2022 brought the introduction of important charging and power supply solutions to the M18 platform with the new M18 PACKOUT Six Bay Rapid Charger and M18 CARRY-ON 3600W/1800W Power Supply.



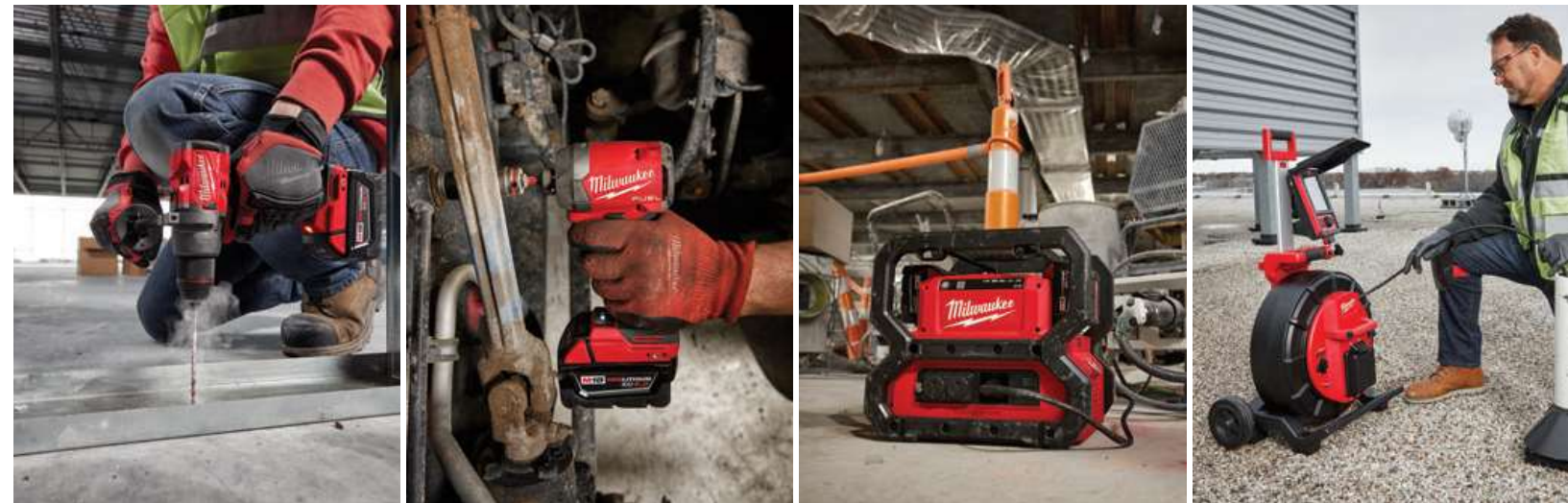
262+ TOOLS

Cordless Platforms

They last longer, think faster and work harder than all other professional lithium-ion batteries. Built to withstand even the harshest environments, REDLITHIUM batteries deliver more work over the life of the battery, no matter what the job.

Technology

Highly advanced motor technology boosts efficiency, generating more power from a compact power source. That means the ultimate performance, durability and run-time comes in a smaller, lighter package. An advanced combination of hardware and software, REDLINK Intelligence enables full-circle communication between our batteries and tools, allowing for unmatched levels of performance, protection and productivity.



NEW PRODUCTS



M18 FUEL
1/2" Hammer Drill/Driver



M18 FUEL
1/4" Hex Impact Driver



M18 FUEL
3" x 18" Belt Sander



M18 CARRY-ON
3600W/1800W Power Supply



M18
200' Mid-Stiff Pipeline Inspection System



M18 FUEL
Compact Pipe Threader w/ ONE-KEY



M18 FUEL
15 mm Random Orbital Polisher



M18 PACKOUT
Six Bay Rapid Charger



M18 REDLITHIUM XC5.0
Resistant Battery Pack



**EQUIPMENT REDEFINED
TRADE FOCUSED
SYSTEM WIDE**

With the launch of the MILWAUKEE MX FUEL Equipment System, we entered the multi-billion dollar light equipment space. Our continued focus on our end users and continued investment in MX FUEL has yielded 14 total solutions through the end of 2022, making the MX FUEL system the largest, highest performing light equipment battery system.

Cordless Platforms

They last longer, think faster and work harder than all other professional lithium-ion batteries. Built to withstand even the harshest environments, REDLITHIUM batteries deliver more work over the life of the battery, no matter what the job.

Technology

Highly advanced motor technology boosts efficiency, generating more power from a compact power source. That means the ultimate performance, durability and run-time comes in a smaller, lighter package. An advanced combination of hardware and software, REDLINK Intelligence enables full-circle communication between our batteries and tools, allowing for unmatched levels of performance, protection and productivity.



NEW PRODUCTS



MX FUEL
Pipe Threading Machine



MX FUEL
Core Rig w/ Stand



Milwaukee®

OUTDOOR POWER EQUIPMENT

MILWAUKEE continued to launch high-performance solutions for the landscape maintenance professional in 2022, expanding its Outdoor Power Equipment category. The new M18 FUEL 21" Self-Propelled Dual Battery Mower delivers more max torque than 200cc gas alternatives. The new M18 FUEL Dual Battery Blower provides the highest constant power by delivering a power output higher than all handheld gas blowers and maintaining that power level throughout the full charge of the battery. Both solutions are examples of industry-leading solutions MILWAUKEE is bringing to this rapidly expanding category.

Cordless Platforms

They last longer, think faster and work harder than all other professional lithium-ion batteries. Built to withstand even the harshest environments, REDLITHIUM batteries deliver more work over the life of the battery, no matter what the job.

Technology

Highly advanced motor technology boosts efficiency, generating more power from a compact power source. That means the ultimate performance, durability and run-time comes in a smaller, lighter package. An advanced combination of hardware and software, REDLINK Intelligence enables full-circle communication between our batteries and tools, allowing for unmatched levels of performance, protection and productivity.



NEW PRODUCTS



M18 FUEL
21" Self-Propelled Dual Battery Mower



M18 FUEL
HATCHET 8" Pruning Saw



M18 FUEL
Dual Battery Blower



M12 FUEL
8" Hedge Trimmer



M12
1 Gallon Handheld Sprayer



M12
2 Gallon Handheld Sprayer



M18 FUEL QUIK-LOK
Rubber Broom Attachment



M18 FUEL QUIK-LOK
Bristle Brush Attachment

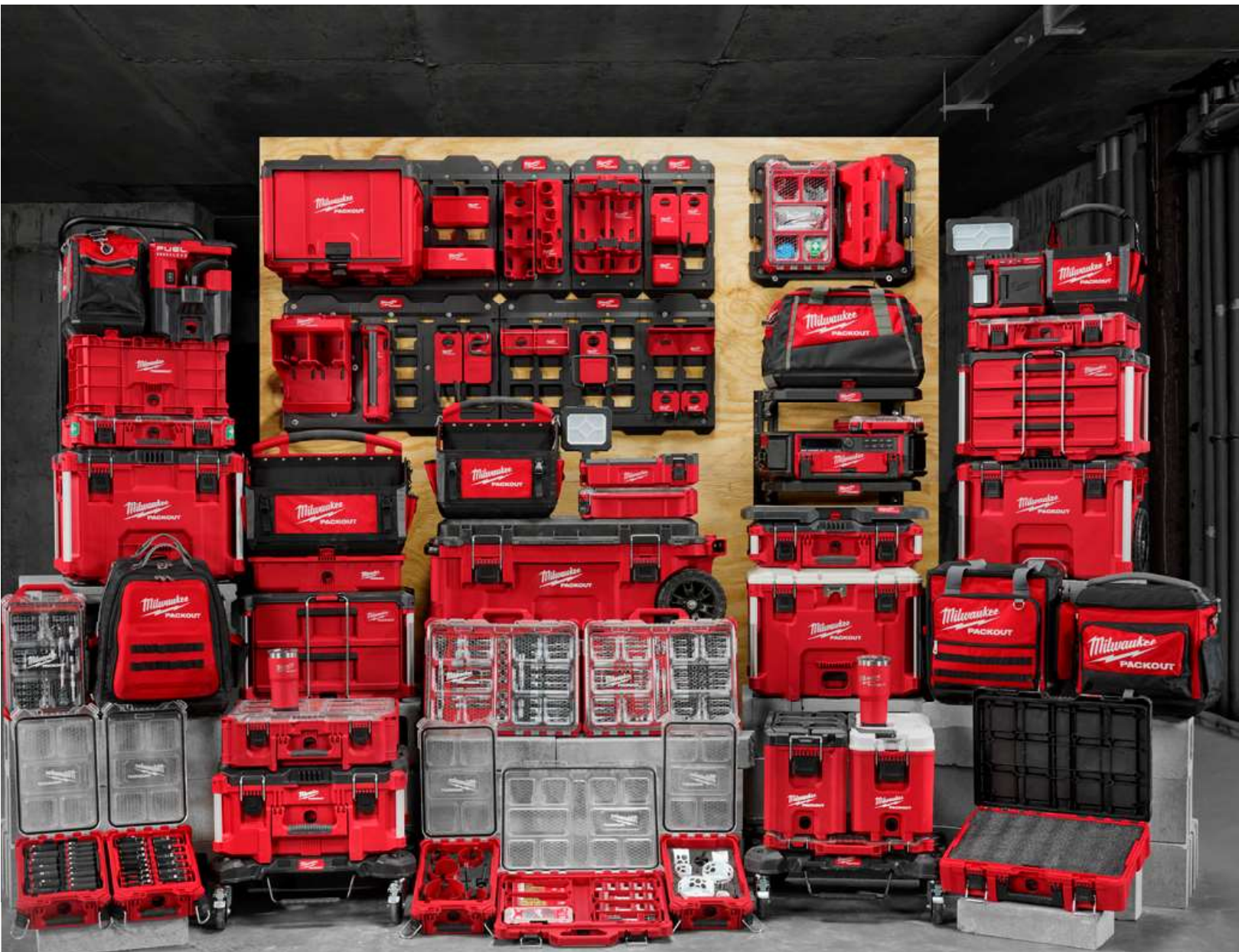


M18 FUEL QUIK-LOK
Brush Cutter Attachment

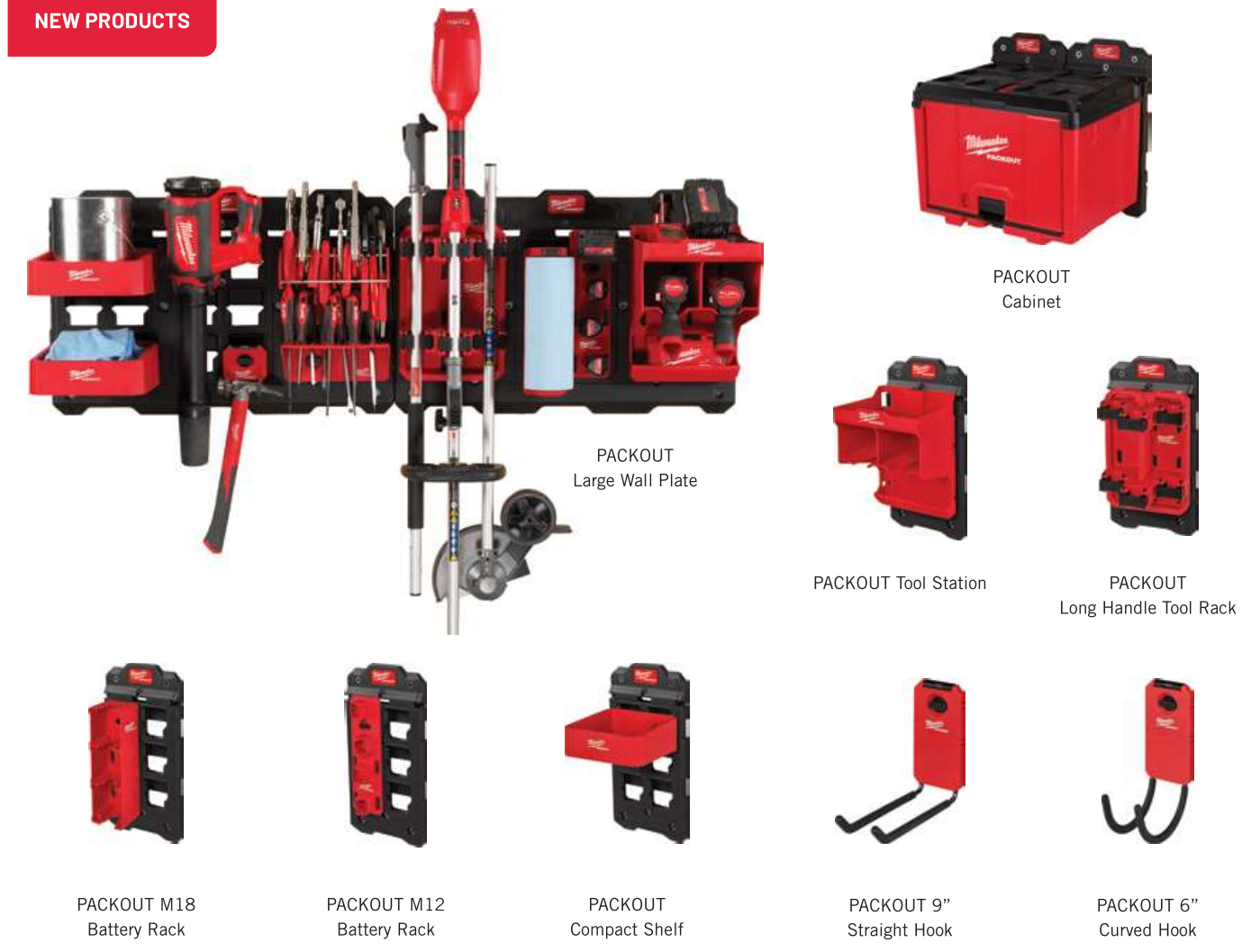


STORAGE

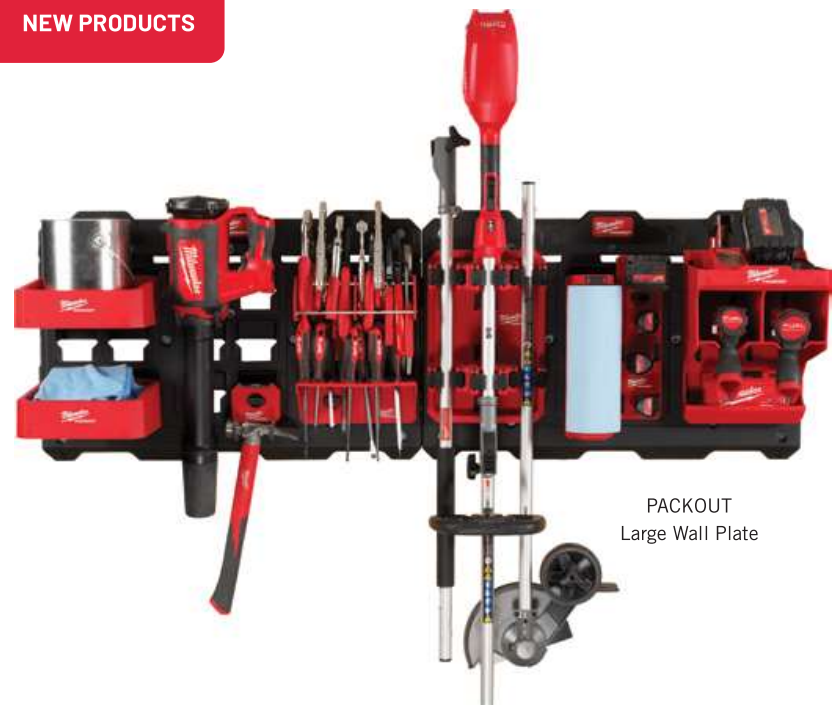
The PACKOUT Modular Storage System is the most versatile and durable modular storage system in the industry. Now with 70 fully interchangeable products, the MILWAUKEE PACKOUT Modular Storage System continues to expand to meet the professional's tool storage, transportation and organizational needs. This year, we added 20+ Shop Storage solutions, bringing the versatility of PACKOUT into the shop so users can fully customize their storage with wall plates, hooks, tool racks, tool holders and a cabinet that connects with all PACKOUT solutions.



NEW PRODUCTS



PACKOUT Cabinet



PACKOUT Large Wall Plate



PACKOUT Tool Station



PACKOUT Long Handle Tool Rack



PACKOUT M18 Battery Rack



PACKOUT M12 Battery Rack



PACKOUT Compact Shelf



PACKOUT 9\"/>



PACKOUT 6\"/>



POWER TOOL ACCESSORIES

MILWAUKEE is committed to providing professional users with a broad range of accessory solutions that save time and increase productivity on the jobsite. All of our accessory solutions are engineered to deliver maximum life, durability and efficiency. We continue to lead in multiple product segments through our investment in new technologies, best-in-class manufacturing capabilities and efficient consumable accessories, which deliver world class run-time to MILWAUKEE's broad range of cordless tools.

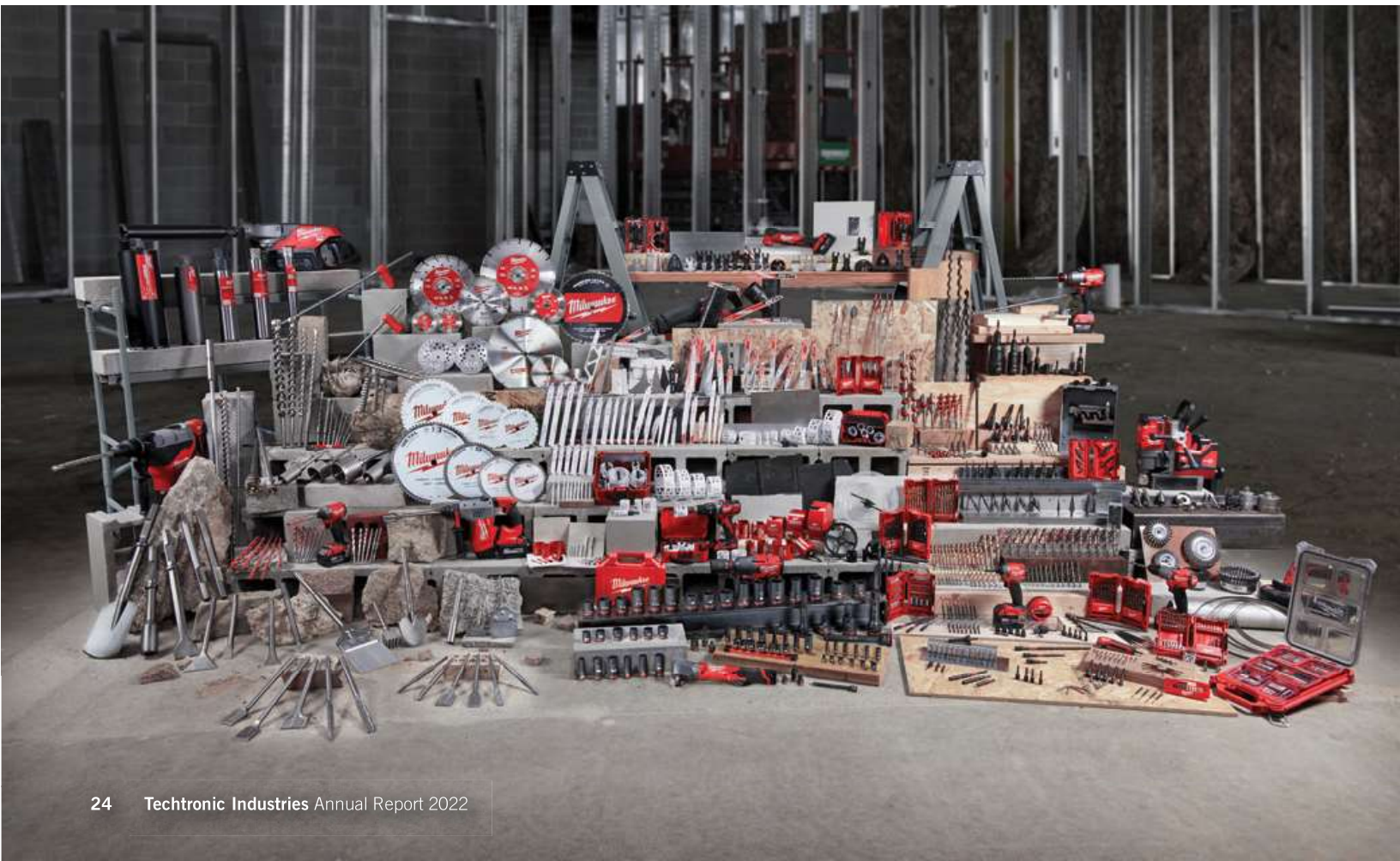
As a result of our leadership position in carbide technology, we delivered ground-breaking innovation in the SAWZALL blades category. In 2022, we introduced THE WRECKER with NITRUS CARBIDE SAWZALL Blade, which is the longest-lasting, fastest cutting and most versatile blade for demolition jobs.

Our focus on the plumbing, mechanical and electrical contractor continued in 2022 with the introduction of new Portable Pipe Threading Accessories. As part of this launch, MILWAUKEE delivered the industry's lightest portable pipe threading die heads and replacement portable pipe dies.

2022 was an important year for our drilling & driving accessories segment. For the first time, MILWAUKEE introduced 42 new drilling & driving accessory storage solutions that are optimized for use with the MILWAUKEE PACKOUT Modular Storage System. This new capability will allow users to integrate their drilling & driving accessory cases inside their PACKOUT storage devices for better organization and convenience.



NEW PRODUCTS



NITRUS CARBIDE SAWZALL Blades



1/2" - 2" High Speed NPT Forged Aluminum Die Head PACKOUT Kit



36 Pc SHOCKWAVE IMPACT DUTY 3/8" Drive Metric & SAE 6 Point Deep Socket Set w/ PACKOUT



80 Pc SHOCKWAVE IMPACT DUTY Driver Bit Set



SAFETY

MILWAUKEE is committed to keeping professionals safe on the jobsite with the launch of the BOLT hard hat and helmet system – the first system that allows users to secure accessories to their MILWAUKEE head protection simultaneously for a complete head protection solution. Eye Visors, Polycarbonate Face Shields, Metal Mesh Face Shields, Sunshade and a specifically designed BOLT REDLITHIUM USB headlamp all joined the BOLT system in 2022.

With 900+ solutions across multiple categories – hard hats/helmets, eye protection, hearing protection, high visibility vests, respirators, work gloves – MILWAUKEE is continuing to improve safety and productivity on the jobsite through a deep understanding of user needs.



NEW PRODUCTS



BOLT Accessories



SETTING THE BAR HIGH AS THE #1 DIY TOOL BRAND

RYOBI continues to innovate and lead the way as the #1 DIY Tool Brand on the planet. The breadth of line, cordless convenience, and value of products, all compatible with a battery interface that has remained consistent since 1996, makes the RYOBI 18V ONE+ Cordless System the platform of choice for users from DIYers to professionals. For tackling more demanding yardwork, the RYOBI 40V system provides gas performance with cordless convenience. The RYOBI 80V system, introduced in 2022, features the most powerful products to date from RYOBI, allowing users to eliminate gas and operate Zero Turn Riding Mowers, Lawn Tractors and more on clean, quiet, zero emission battery power.

RYOBI 18V ONE+ HP & 40V HP Brushless tools utilize advanced technologies and superior ergonomics to deliver high performance tools and a premium user experience like never before. RYOBI WHISPER SERIES products, its quietest range of products, enables users to utilize high performing products that are engineered to be quieter by design. The RYOBI LINK Modular Storage system continues to grow and enables users to easily organize, access, and transport their lives with a wide variety of customizable wall and mobile storage solutions. Rounding out the RYOBI family is the USB LITHIUM cordless platform, now offering over ten compact and portable tools that are rechargeable via a USB-C port in the included battery.

USB LITHIUM

18V ONE+

40V

80V

LINK
MODULAR STORAGE SYSTEM



LIGHT DIY



HEAVY DIY/REMODEL



HOBBY/CRAFT & MAKER



STORAGE & ORGANIZATION



LAWN & GARDEN



TRANSPORTATION MAINTENANCE



LIFESTYLE & RECREATION



CLEANING



The RYOBI 18V ONE+ System features over 280 innovative product solutions, giving users the ultimate versatility and selection to get the job done. With cordless lithium technology, RYOBI powers through almost anything. From drilling, cutting, fastening, and cleaning, to lighting, plumbing, trimming, mowing, and clearing, the ONE+ System gives users The Power To Do More.

Best of all, RYOBI stayed true to its same 18V battery platform giving its users peace of mind as they expand their collections. The newest products and batteries from RYOBI's 18V ONE+ System are compatible with the same RYOBI tools and batteries from 1996. So no matter our user's interest or skill level, whether they're on the jobsite or at home, there's a ONE+ product for everyone.

18V ONE+ HP

RYOBI 18V ONE+ HP tools feature premium brushless motors, advanced electronics, and high performance lithium batteries to deliver a best-in-class user experience. These high performance tools utilize advanced technology to deliver more power, runtime, durability, and speed. 18V ONE+ HP tools are designed with superior ergonomics without sacrificing performance.



NEW PRODUCTS



18V ONE+ HP Brushless Dedicated Stick Edger



18V ONE+ HP Brushless AIRSTRIKE 21° Framing Nailer



18V ONE+ VERSE Clamp Speaker



18V ONE+ HP Compact Brushless 4-Mode 1/2" Impact Wrench



18V ONE+ 6-Port Fast Charger



18V ONE+ 1800 Watt Power Station



18V ONE+ LINK 3 Gallon Wet/Dry Vacuum



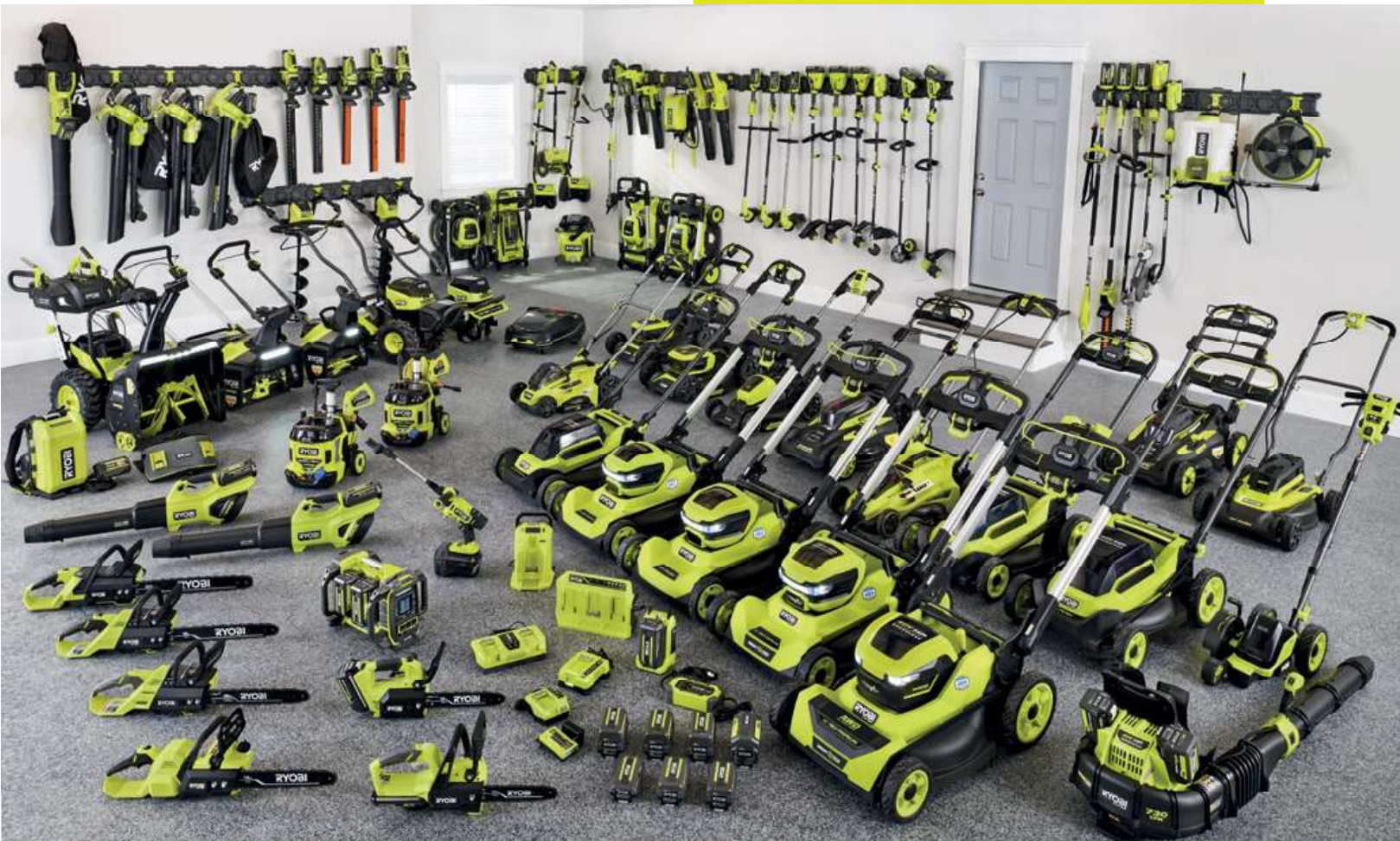
40V

OVER
85
40V
PRODUCTS

The RYOBI 40V System puts the power in your hands to tackle any job with gas performance and cordless convenience. With over 85 innovative products and counting, each is engineered to deliver superior performance and fade-free runtime. With battery pack sizes ranging from the compact and lightweight 2Ah to the high performing 12Ah, RYOBI's 40V Cordless System provides the power, freedom, and versatility users desire for their lawn and garden needs.

40V HP

RYOBI 40V HP tools combine premium brushless motors, advanced electronics, and high performance lithium batteries to deliver gas power and superior runtime all while maintaining compatibility with the full 40V family of products.



NEW PRODUCTS



40V HP Brushless WHISPER SERIES
2000 PSI 1.2 GPM Pressure Washer



40V HP Brushless
Jet Fan Blower/Vacuum



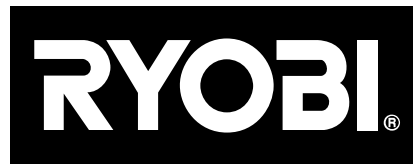
40V HP Brushless
20" Chainsaw



40V WHISPER SERIES
14" Air Cannon



40V HP Brushless
8" Stick Edger



Lawn Mowers

18V ONE+

40V

80V

This year, RYOBI is excited to expand its lawn mower offerings in both the 40V HP and 80V HP families. The new RYOBI 80V HP Brushless 30" Walk-Behind Lawn Mower is RYOBI's largest walk-behind lawn mower to date, allowing users to cut up to 1 acre on a single battery charge. Joining the RYOBI 80V HP Lithium Zero Turn Riding Mowers are two all new 80V HP Lithium Riding Lawn Tractors. The most versatile tractors on the market, the 42" and 46" models are proudly assembled in Anderson, South Carolina, and will expand the 80V platform to even more users. With the engines providing power equivalence up to 23 horsepower and cutting up to 2.5 acres on a single charge, these new Lithium Riding Lawn Tractors will provide cordless options to an entirely new segment of customers.

These new 80V HP mowers join the RYOBI lineup of 18V and 40V walk behind mowers to provide a range of options that meet every user's needs with cordless convenience.

WHISPER SERIES.

RYOBI is well positioned to lead the transition from gas to battery-powered outdoor power equipment and extend our leadership position in noise reduction with an expanded lineup of RYOBI WHISPER SERIES products. These products are focused on addressing the growing number of regions and areas introducing restrictions on the usage of gas-powered outdoor equipment that emit harmful carbon emissions and generate unacceptable levels of noise. RYOBI WHISPER SERIES products are more powerful and engineered to be quieter by design.



NEW PRODUCTS



80V HP Brushless WHISPER SERIES 30" Cross Cut Self-Propelled Lawn Mower



40V HP Brushless 20" Multi-Blade Lawn Mower



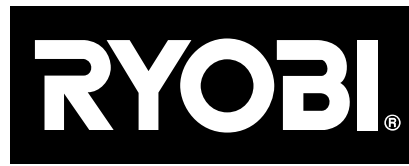
40V 18" Side Discharge Mower



80V HP Brushless 42" Lithium Electric Riding Lawn Tractor



80V HP Brushless 46" Lithium Electric Riding Lawn Tractor



RYOBI WHISPER SERIES products are RYOBI's quietest range of products. These products are engineered with noise reducing technology to be quieter by design. These products provide best-in-class performance and remarkable power while operating up to 85% quieter than comparable gas products.

In 2022, RYOBI expanded the WHISPER SERIES family by 12 products and will continue to add more solutions in 2023. RYOBI's WHISPER SERIES product line gives users maximum performance with quieter design.

WHISPER SERIES.

RYOBI WHISPER SERIES advantage vs Gas Products: A difference you can hear.



NEW PRODUCTS



18V ONE+ HP Brushless WHISPER SERIES 12" Chainsaw



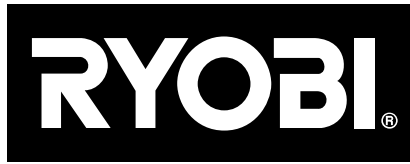
40V HP Brushless WHISPER SERIES 16" Front Tine Tiller



40V HP Brushless WHISPER SERIES 26" Hedge Trimmer



18V ONE+ HP Brushless WHISPER SERIES 20" Lawn Mower



The RYOBI LINK Modular Storage System enables users to organize, access, and transport their lives with a wide variety of wall and mobile solutions that provide limitless customization. LINK is providing users with new ways to organize the home, jobsite, and everywhere in between. LINK Modular Storage solutions give users the versatility and durability they need from modular storage, while providing unparalleled levels of customization.

With brand new mobile and wall rail solutions released in 2022, the product line will expand further in 2023. The LINK modular storage system will only continue to grow as it expands to over 30 compatible organization solutions.



ORGANIZE. ACCESS. TRANSPORT.

Allowing users to Organize, Access, and Transport their lives, the RYOBI LINK Modular Storage System seamlessly connects wall and mobile storage needs. LINK creates an endlessly customizable storage solution for all users from homeowners to professionals, allowing them to own their space.



NEW PRODUCTS



LINK Wall Small Parts Organizer

LINK 2-Drawer Tool Box



LINK ONE+ Battery Shelf



LINK Rolling Base



RYOBI's newest cordless system, USB LITHIUM powers a line of handheld portable solutions meant to replace tools typically powered by disposable alkaline batteries. USB LITHIUM Batteries are easily rechargeable with any USB-C cable.

The system began with a Rotary Tool, Power Cutter, Power Carver, and Cordless Screwdriver, and expanded to over 10 solutions including categories such as lighting, air movement, and hobby, craft & maker products. RYOBI is excited to continue growth in this new lineup, with USB LITHIUM providing compact, portable, rechargeable solutions for cordless power and productivity.



NEW PRODUCTS

USB LITHIUM Compact LED Flashlight



USB LITHIUM Clamp Fan



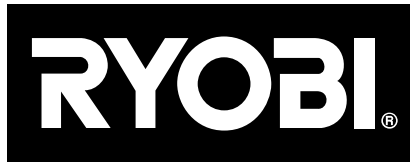
USB LITHIUM High Pressure Inflator

USB LITHIUM LED Flip Light



USB LITHIUM Glue Pen





Cordless Cleaning

18V ONE+
40V

RYOBI offers a wide variety of cordless cleaning solutions on both the 18V and 40V lines to allow users to power through the mess without breaking a sweat. These products range from stick vacs, hand vacs, wet/dry vacs, scrubbers, sprayers, and spot cleaners that deliver powerful performance with cordless convenience. With nine newly released products in 2022, the cleaning category will further expand in 2023 with innovative solutions and high-quality accessories for cleaning around the job site, workshop, home, and wherever life takes you.



Cleaning Unplugged

Make chores easier with RYOBI cordless cleaning products. Easy-to-use and ergonomic, RYOBI has all users cleaning needs covered from vacuums to scrubbers, power cleaners and more. Power through the mess without breaking a sweat.

NEW PRODUCTS



18V ONE+ HP Brushless Jobsite Hand Vacuum



18V ONE+ Soap Dispensing Telescoping Scrubber



18V ONE+ SWIFTCLEAN Spot Cleaner



40V 10 Gallon Wet/Dry Vacuum



18V ONE+ 1 Gallon Wet/Dry Vacuum



18V ONE+ HP Cordless Pet Stick Vac with Dual-Roller Bar

